

32 07103A00

32 07303A00

32 07303A01

Single-phase rectifiers

for voltages up to 500 VAC

These compact half-wave and bridge rectifiers are especially suitable for fitting into the confined spaces of the terminal box of D.C. equipment to enable operation from A.C. main supply. They are available with flying leads or with screw terminal block. Mounting is possible with screws or optional with a mounting clip.

Technical Data

Type	Form of rectification	Max. nominal input voltage U_1 V1~ (+10%)	Output voltage U_2 V-	Max.power output at		Mounting	Terminals
				R-load I A-	L-Load I A-		
32..							
07102A00	Half wave	500	$U_2 = 0.445 \cdot U_1$	0.8	1.0	Horizontal, screws	Leads 0.14 ²
07302A00	Half wave	500	$U_2 = 0.445 \cdot U_1$	0.8	1.0	Horizontal, screws	Terminal block 2.5 ²
07302A01	Half wave	500	$U_2 = 0.445 \cdot U_1$	0.8	1.0	Vertical, clip	Terminal block 1.5 ²
07103A00	Bridge	500	$U_2 = 0.890 \cdot U_1$	1.6	2.0	Horizontal, screws	Leads 0.14 ²
07303A00	Bridge	500	$U_2 = 0.890 \cdot U_1$	1.6	2.0	Horizontal, screws	Terminal block 2.5 ²
07303A01	Bridge	500	$U_2 = 0.890 \cdot U_1$	1.6	2.0	Vertical, clip	Terminal block 1.5 ²

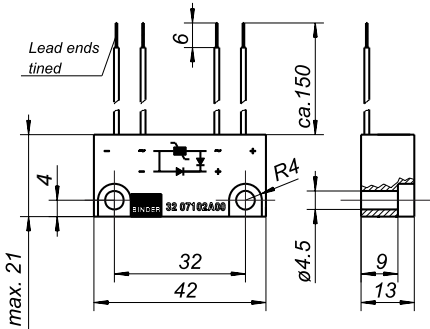
CE

These components are neither electronic nor electric appliances in the sense of the EMC directive 89/336/EWG, but are only designed for mounting into other machines or installations, and they are not intended for end-customers. The user must make sure that his end-product conforms to the corresponding regulations. A manufacturer declaration is available upon request.

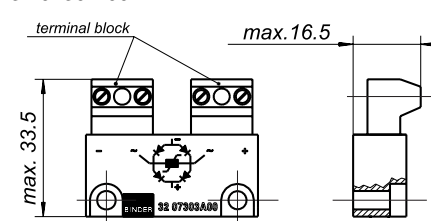
Dimensions (mm) and Connection Diagrams

Dimensions and connection diagrams for types 32 07.02A0. and 32 07.03A0. are the same.

32 0710.A00

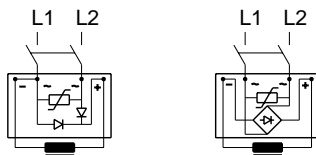


32 0730.A00

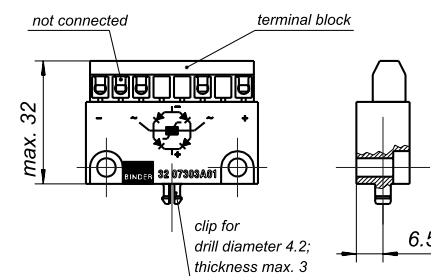


32 07.02A0.

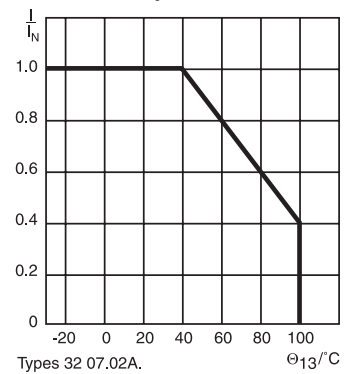
32 07.03A0.



32 0730.A01



Max. current load under ambient temperature



Ambient temperature

0 ... 40°C at rated load

Degree of protection

To EN 60 529: IP 00

Subject to design modifications without prior notice.

Please note ordering data !

Kendrion Binder Magnete GmbH

Mönchweilerstraße 1
D-78048 Villingen-Schwenningen
P.O.Box 1220 (Postal code 78002)
Telephone +49 / 77 21 / 877-0
Telefax +49 / 77 21 / 877 348

Ordering Data

- 1 = Leads
- 3 = Terminal block
- 2 = Halve wave
- 3 = Bridge
- 0 = Horizontal mounting, screws
- 1 = Vertical mounting, clip

Single-phase rectifier

